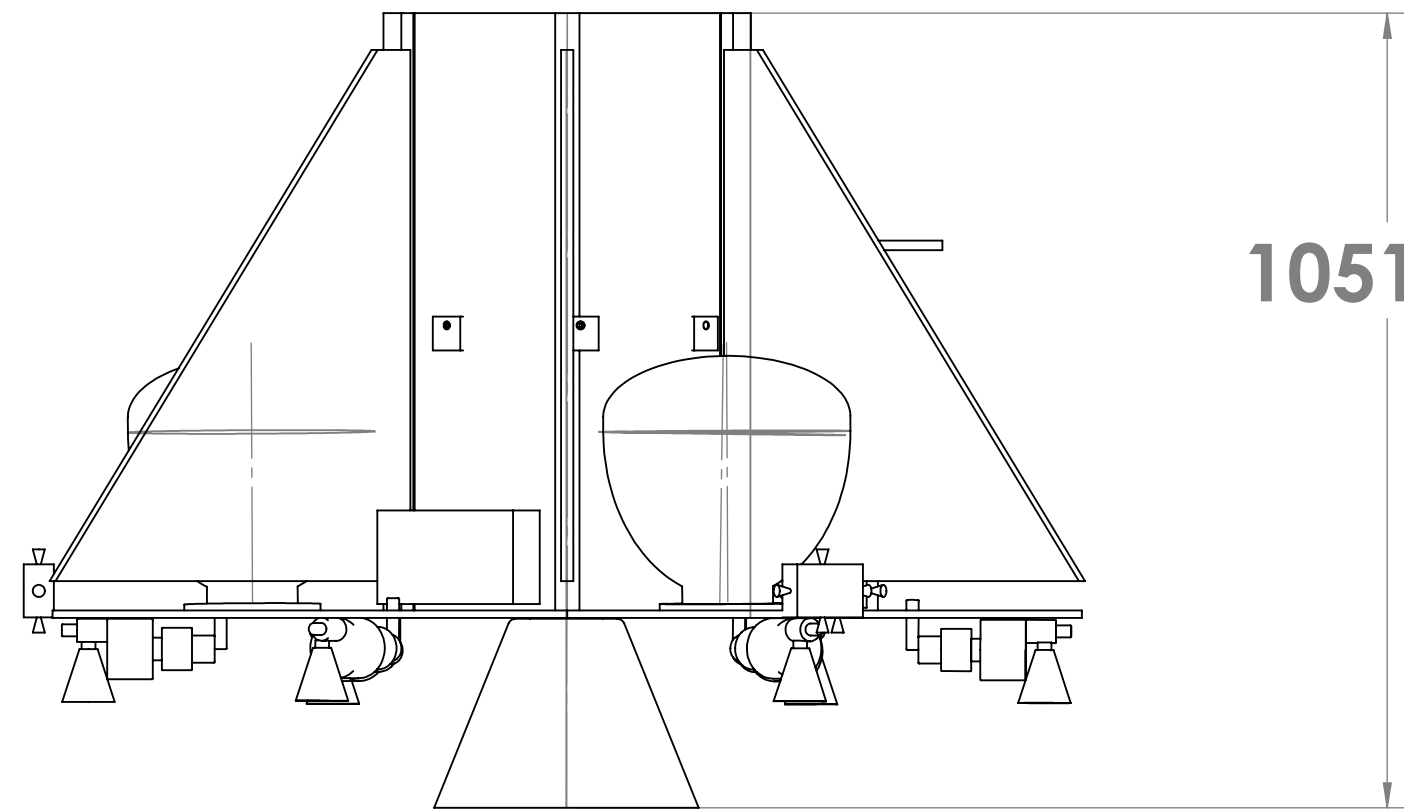
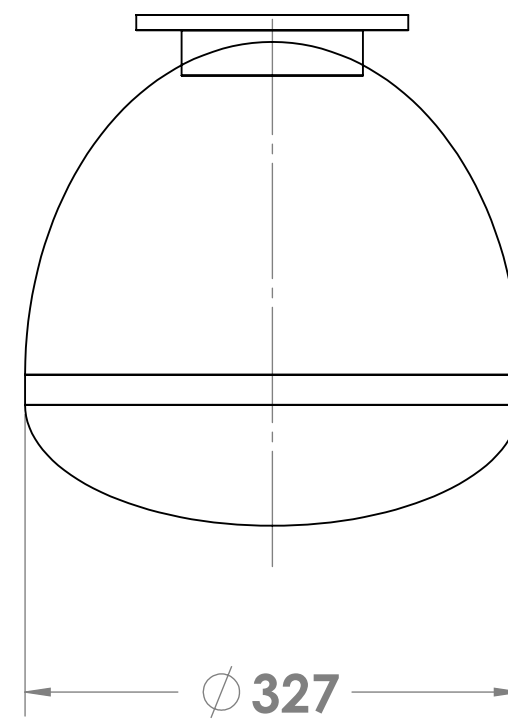


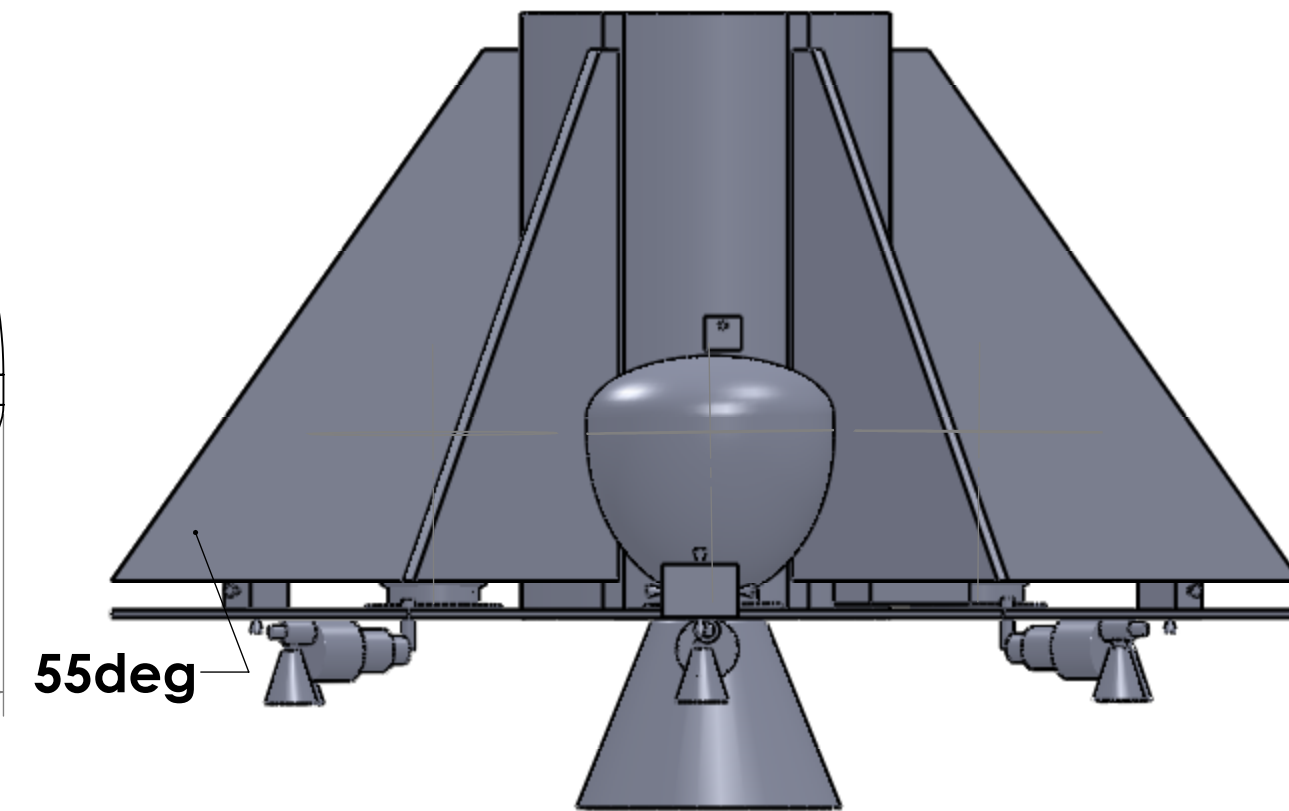
DS444 diaphragm tank  
 mass = 2.7kg  
 propellant mass = 10kg  
 operating pressure = 480 psi



1051.23



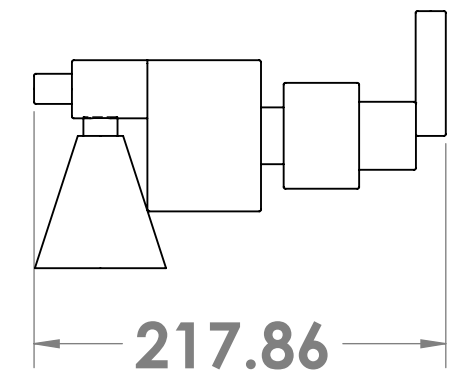
327



55deg

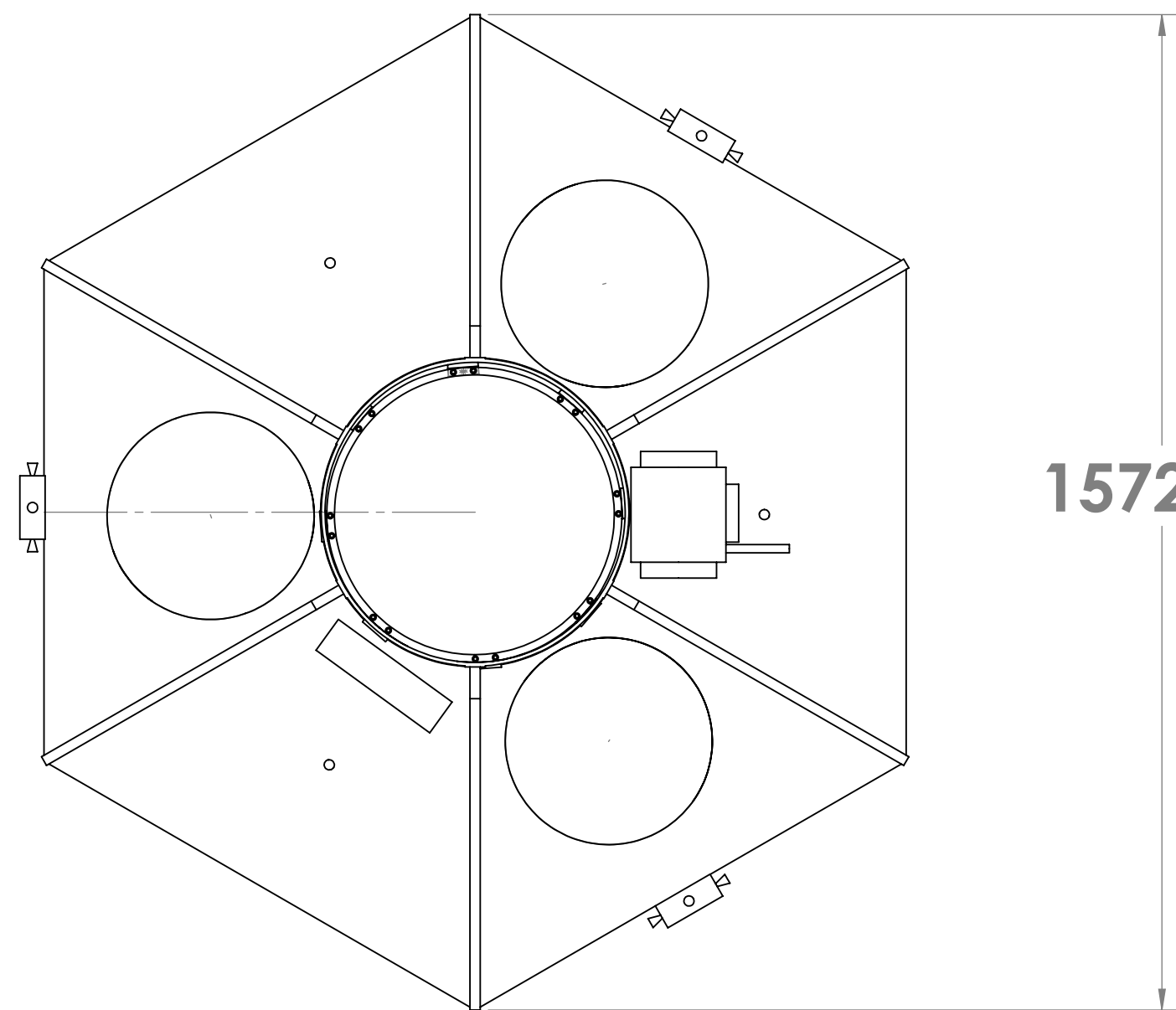
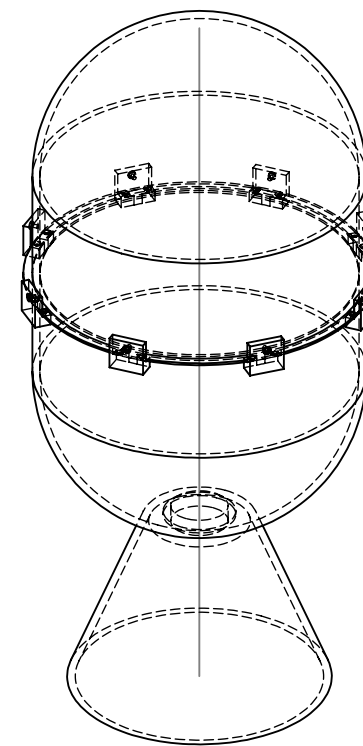
LV interface

MR107b  
 mass = .88kg  
 thrust = 180N

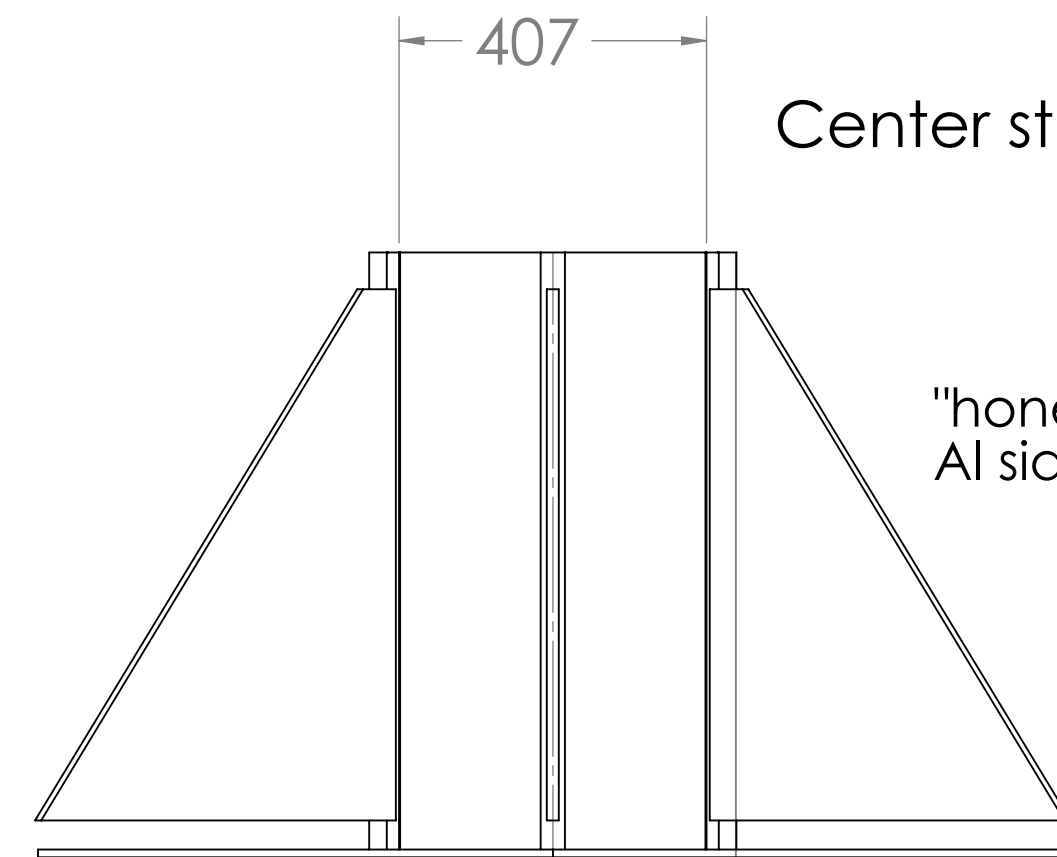


217.86

STAR17A  
 wet mass = 125kg  
 dry mass = 12kg  
 thrust = 3,600lbf



1572.46



407

Center structure

"honeycomb"  
 Al side panels

**PROPRIETARY AND CONFIDENTIAL**  
 THE INFORMATION CONTAINED IN THIS DRAWING IS THE SOLE PROPERTY OF <INSERT COMPANY NAME HERE>. ANY REPRODUCTION IN PART OR AS A WHOLE WITHOUT THE WRITTEN PERMISSION OF <INSERT COMPANY NAME HERE> IS PROHIBITED.

UNLESS OTHERWISE SPECIFIED:		NAME	DATE
DIMENSIONS ARE IN INCHES		DRAWN	
TOLERANCES:		CHECKED	
FRACTIONAL ±		ENG APPR.	
ANGULAR: MACH ± BEND ±		MFG APPR.	
TWO PLACE DECIMAL ±		Q.A.	
THREE PLACE DECIMAL ±		COMMENTS:	
INTERPRET GEOMETRIC TOLERANCING PER:	FINISH	SIZE	DWG. NO.
MATERIAL	APPLICATION	SCALE: 1:20	WEIGHT:
DO NOT SCALE DRAWING	USED ON	REV	
	DO NOT SCALE DRAWING	thruster assembly 11 mar 09.j	SHEET 1 OF 1